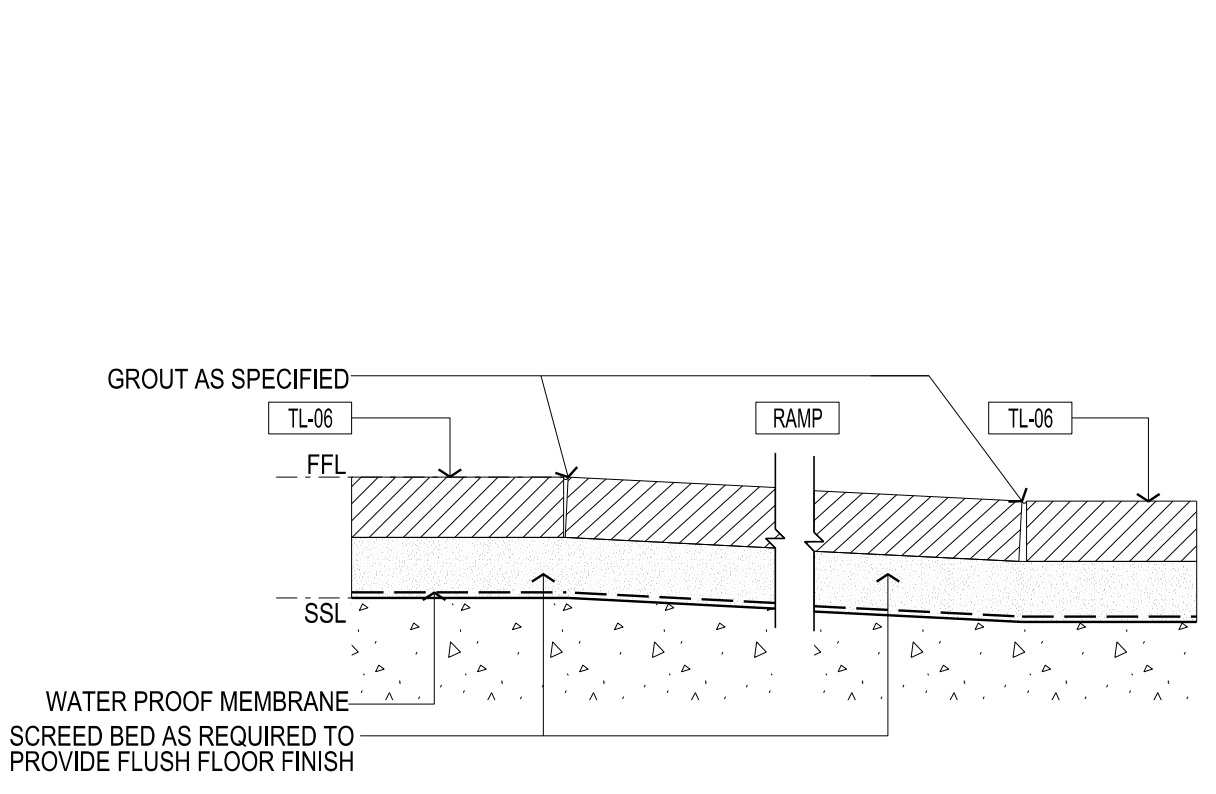
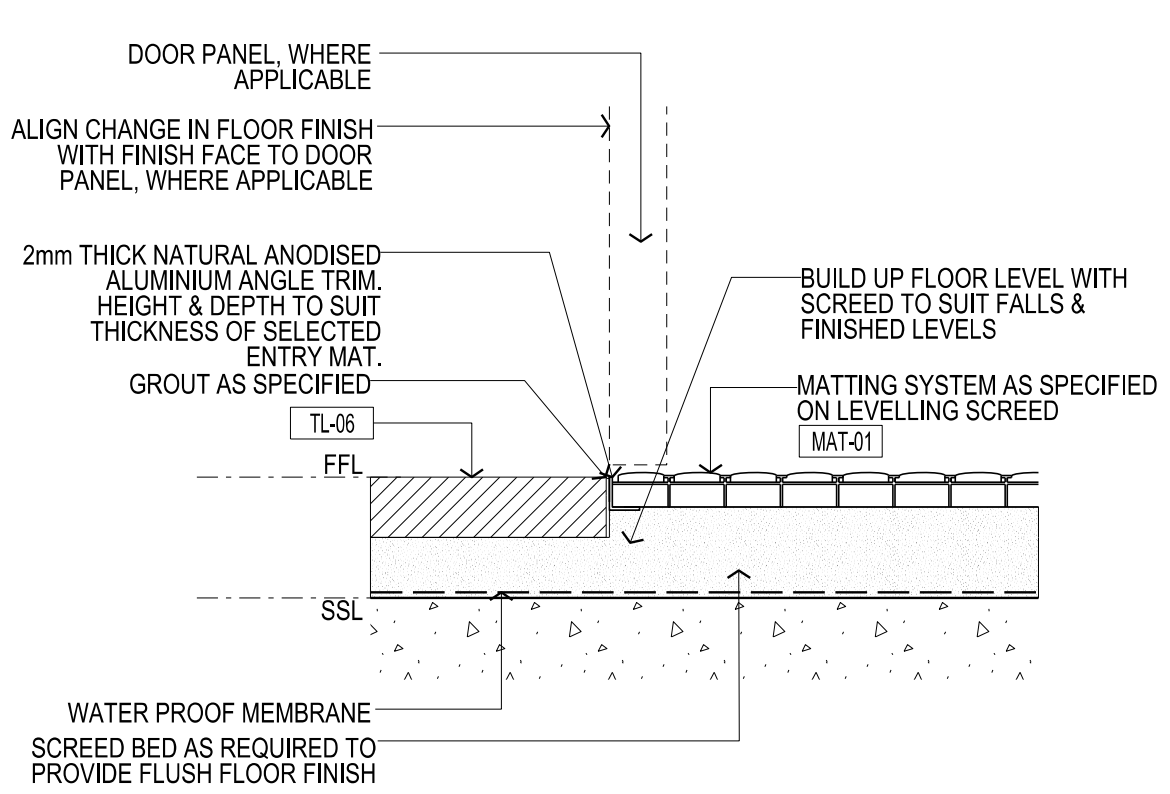


CONTRACTORS SHALL VERIFY JOB DIMENSIONS BEFORE ANY JOB COMMENCES. ALL SHOP DRAWINGS SHALL BE SUBMITTED TO THE SUPERINTENDENT AND MANUFACTURER SHALL NOT COMMENCE WORK TO THE RETURN OF UNMARKED SHOP DRAWINGS ISSUED BY THE CONSULTANT. FIGURED DIMENSIONS SHALL TAKE PRECEDENCE OVER SCALED. THIS DRAWING SHOULD BE READ IN CONJUNCTION WITH ALL RELEVANT CONTRACT SPECIFICATIONS AND DRAWINGS COPYRIGHT OF THIS DRAWING IS VESTED IN WARDLE

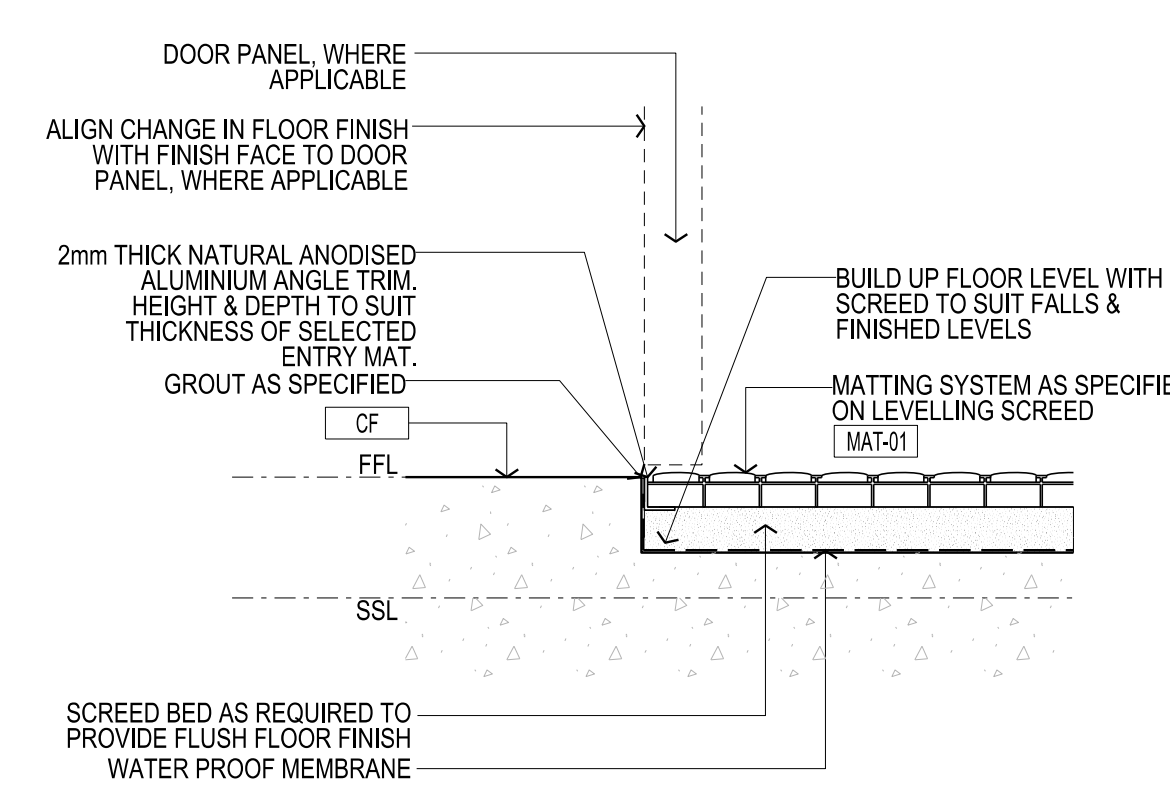
General Notes & Legend



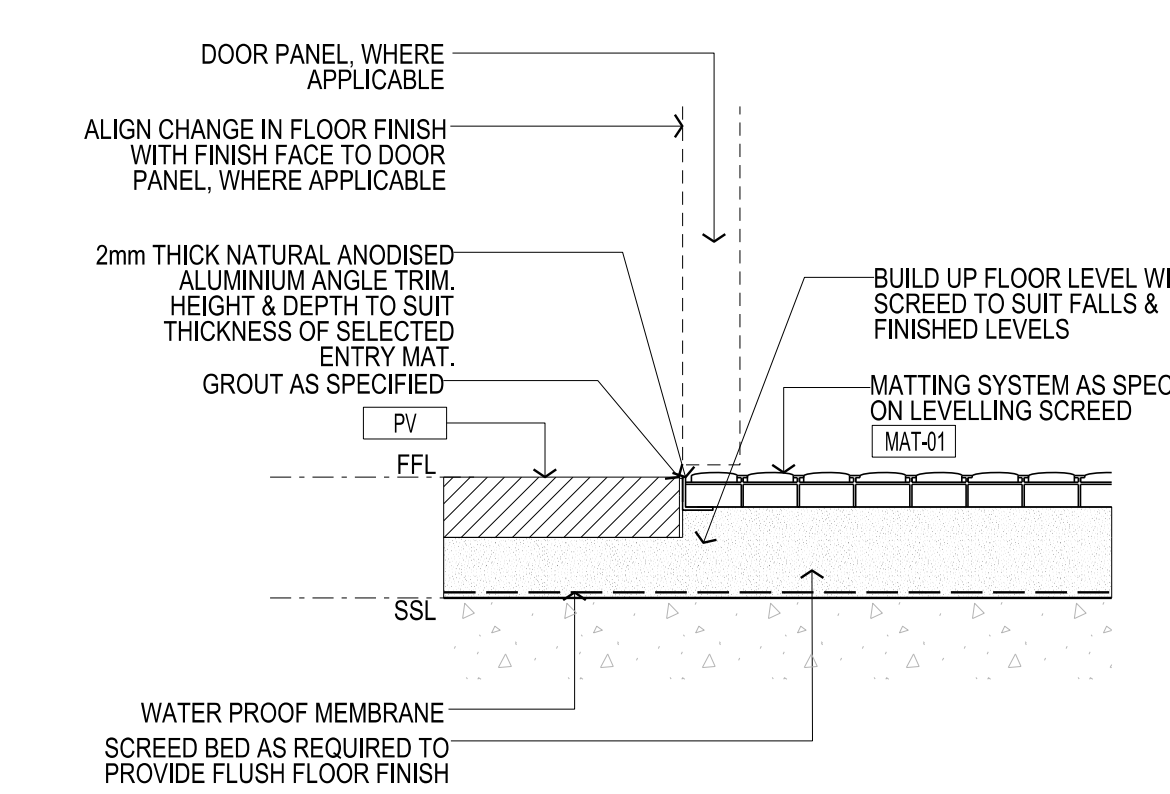
15 INTERNAL CONCRETE PAVER JUNCTION @ RAMP
SCALE 1:5



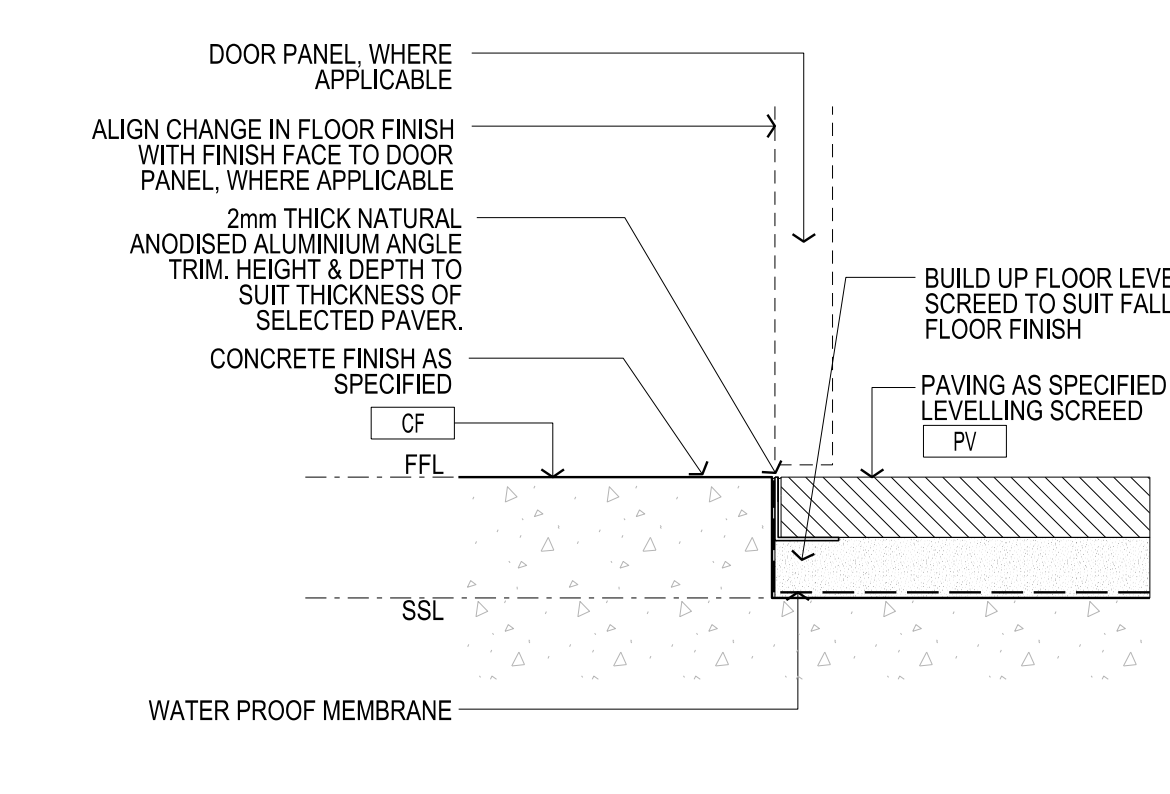
16 INTERNAL CONCRETE PAVER TO ENTRY MAT
SCALE 1:5



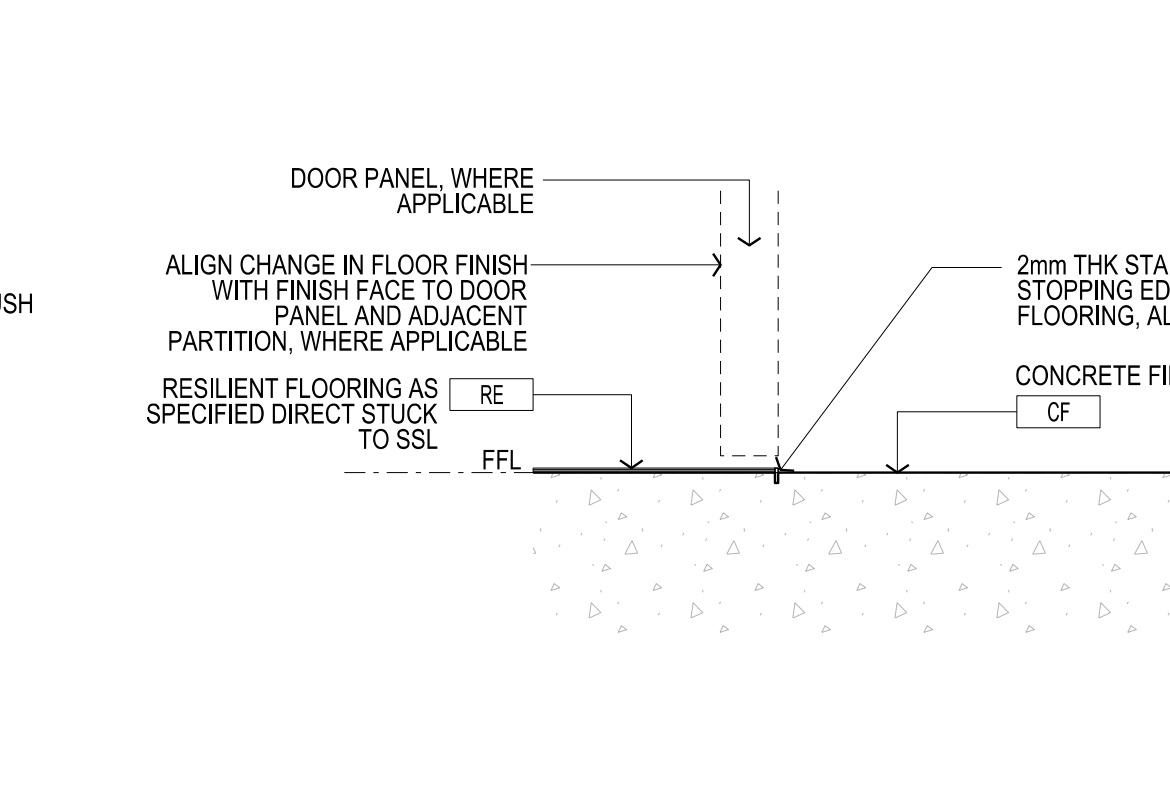
17 CONCRETE FINISH TO ENTRY MAT
SCALE 1:5



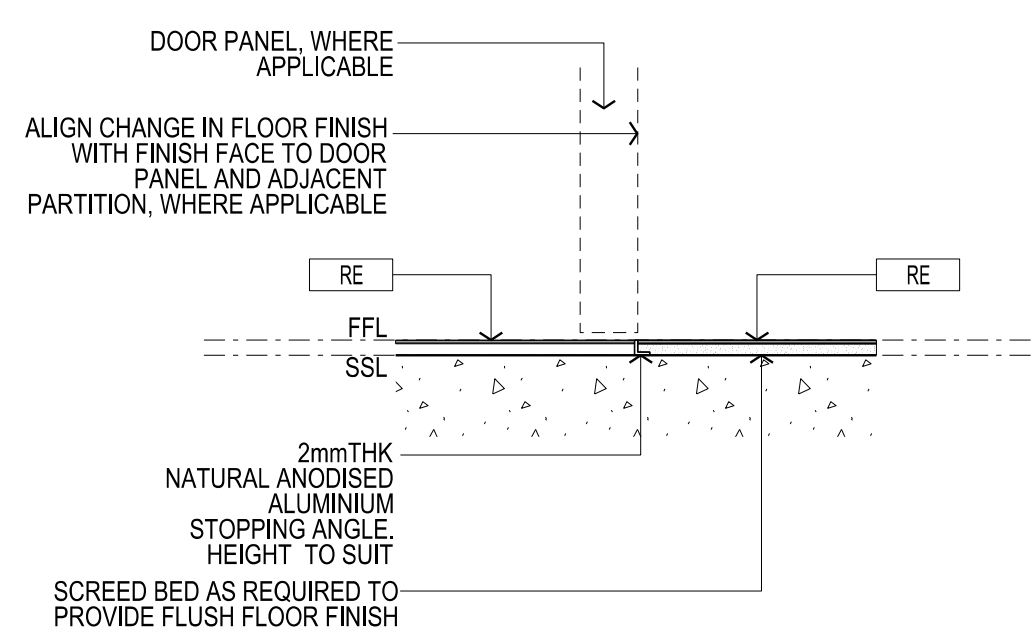
18 EXTERNAL PAVER TO ENTRY MAT
SCALE 1:5



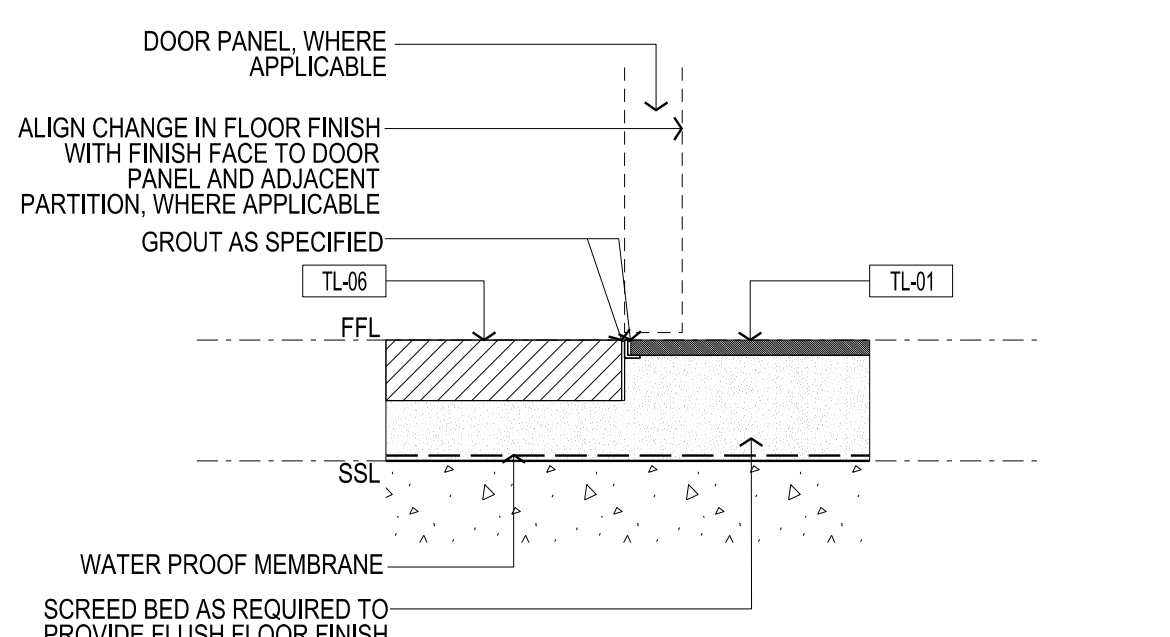
19 EXTERNAL PAVER TO CONCRETE FINISH
SCALE 1:5



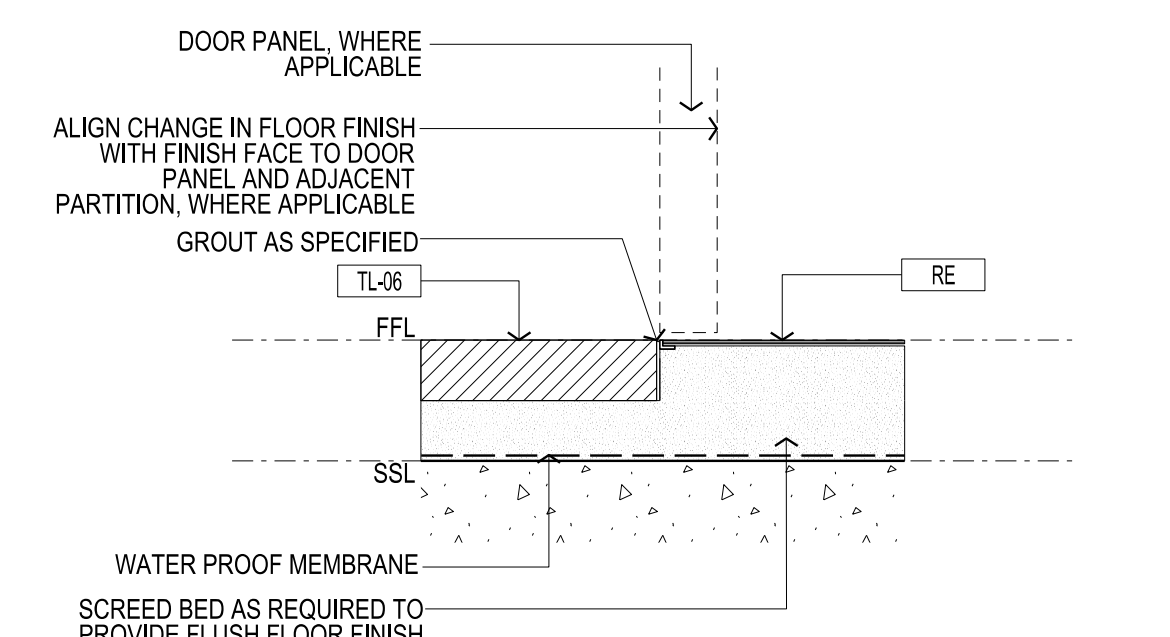
20 RESILIENT FLOORING TO CONCRETE FINISH
SCALE 1:5



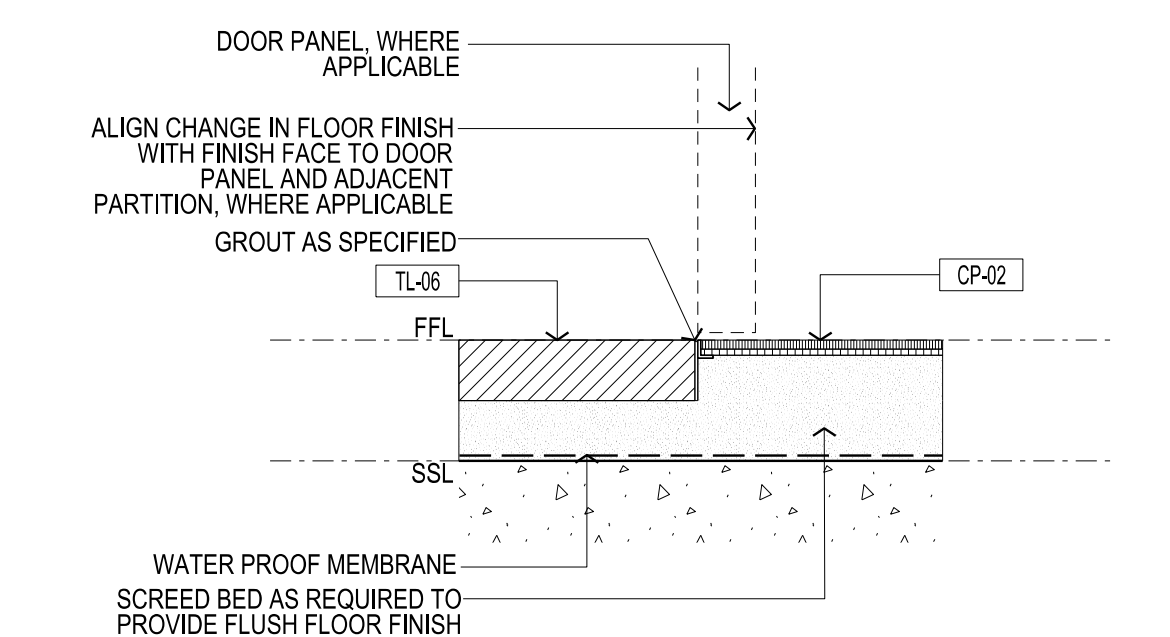
09 LINOLEUM / RUBBER TO RESILIENT FLOORING
SCALE 1:5



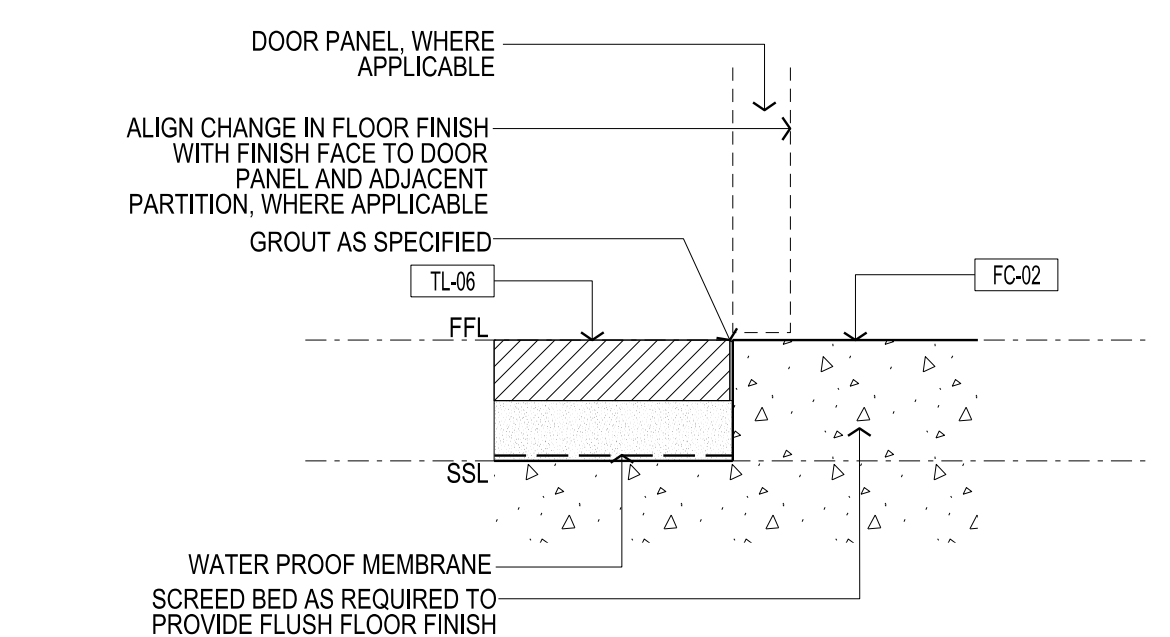
10 INTERNAL CONCRETE PAVER TO CERAMIC TILE
SCALE 1:5



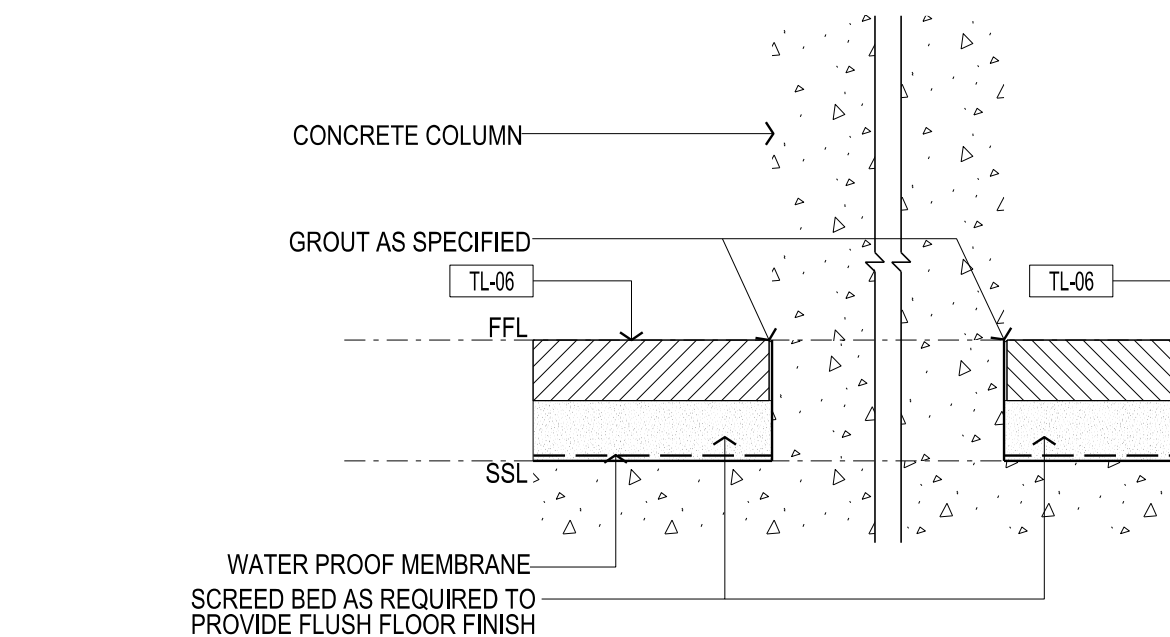
11 INTERNAL CONCRETE PAVER TO LINOLEUM / RUBBER FLOORING
SCALE 1:5



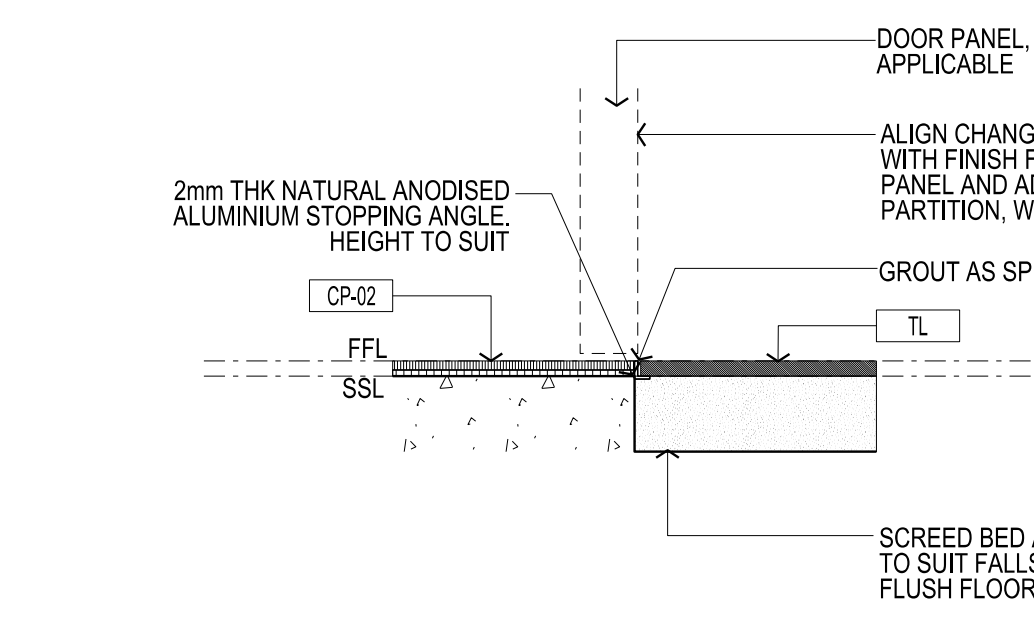
12 INTERNAL CONCRETE PAVER TO CARPET TILE WITH ACOUSTIC UNDERLAY
SCALE 1:5



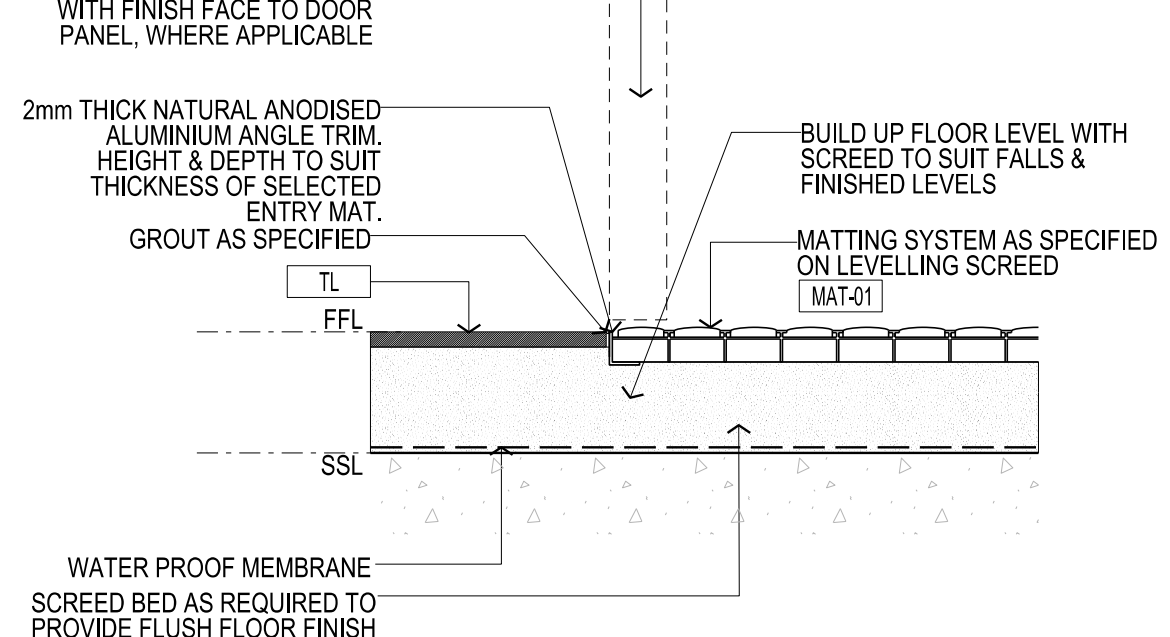
13 INTERNAL CONCRETE PAVER TO FC-01 SLIP RESISTANT COATING ON CONCRETE
SCALE 1:5



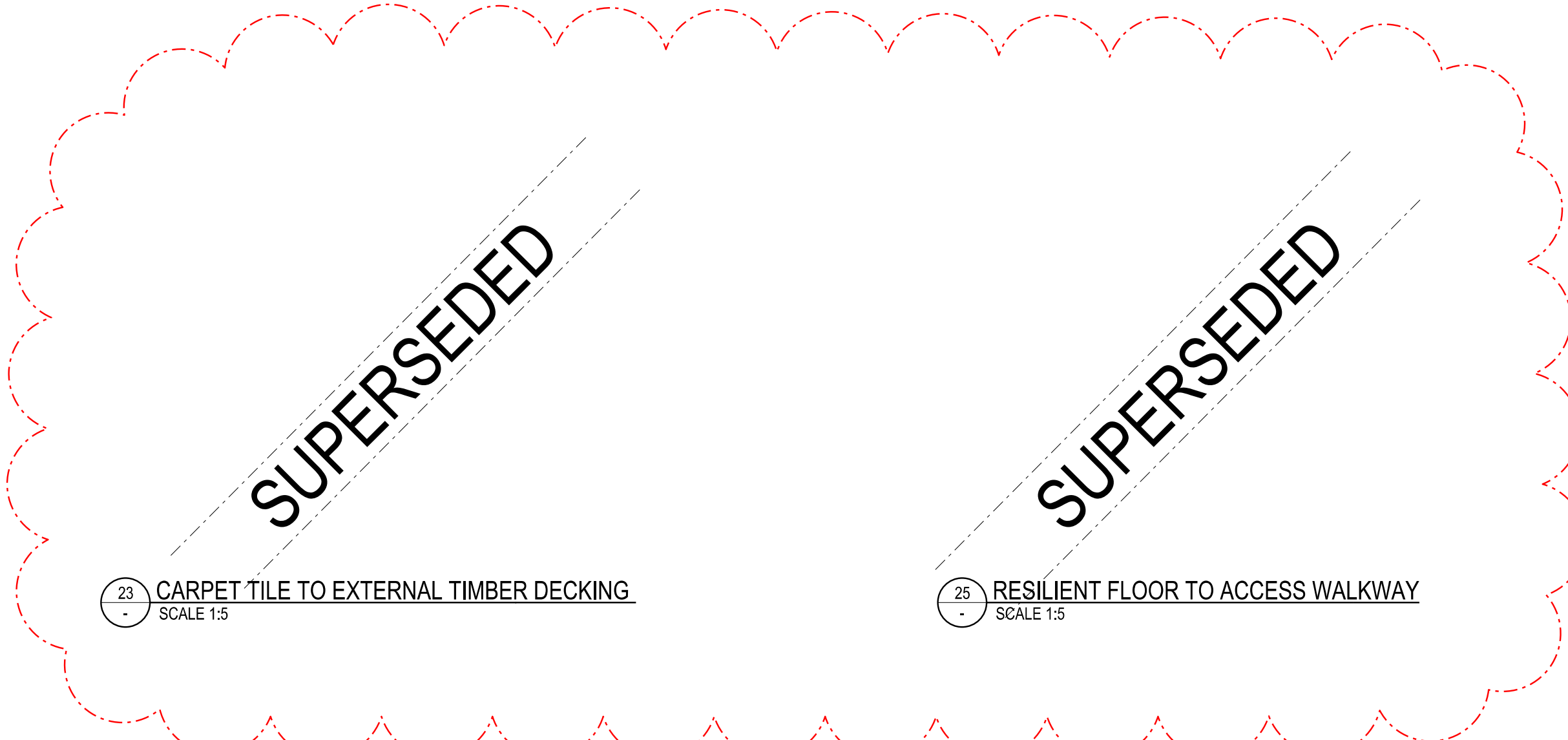
14 INTERNAL CONCRETE PAVER JUNCTION AROUND CONCRETE COLUMN
SCALE 1:5



21 CARPET TILE TO CERAMIC TILE
SCALE 1:5

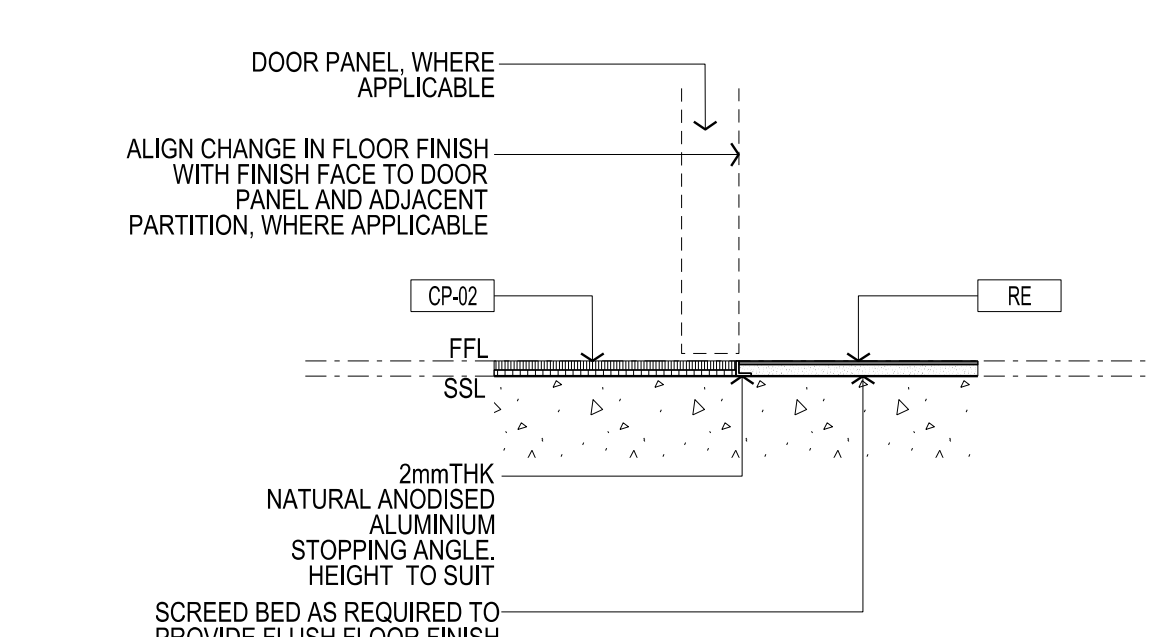


22 ENTRY MAT TO CERAMIC TILE
SCALE 1:5

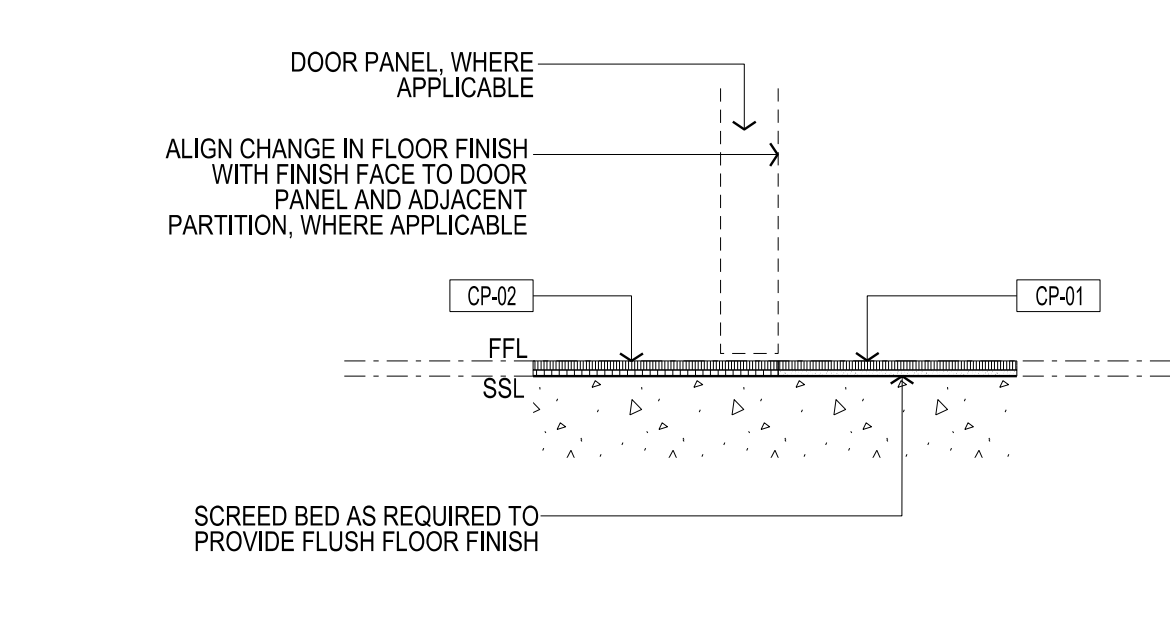


23 CARPET TILE TO EXTERNAL TIMBER DECKING
SCALE 1:5

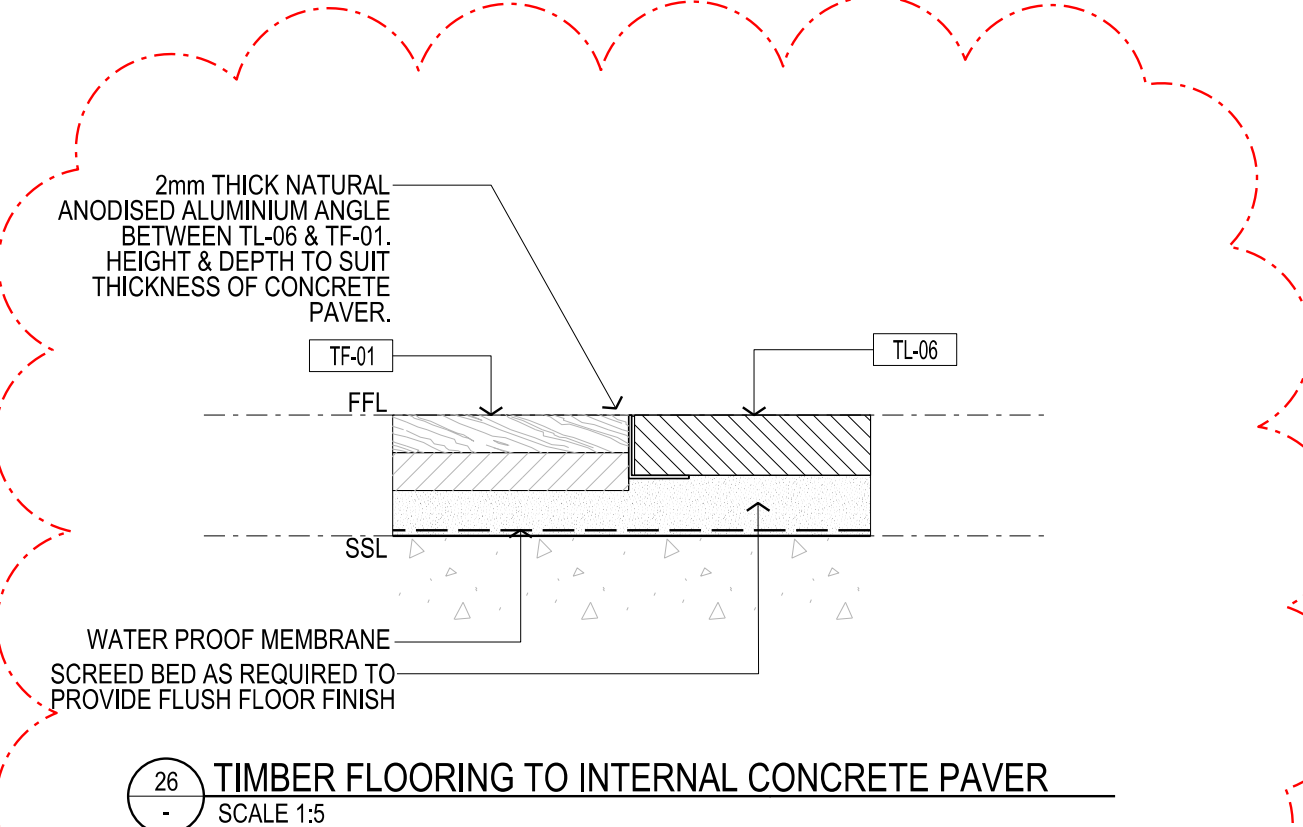
24 RESILIENT FLOOR TO ACCESS WALKWAY
SCALE 1:5



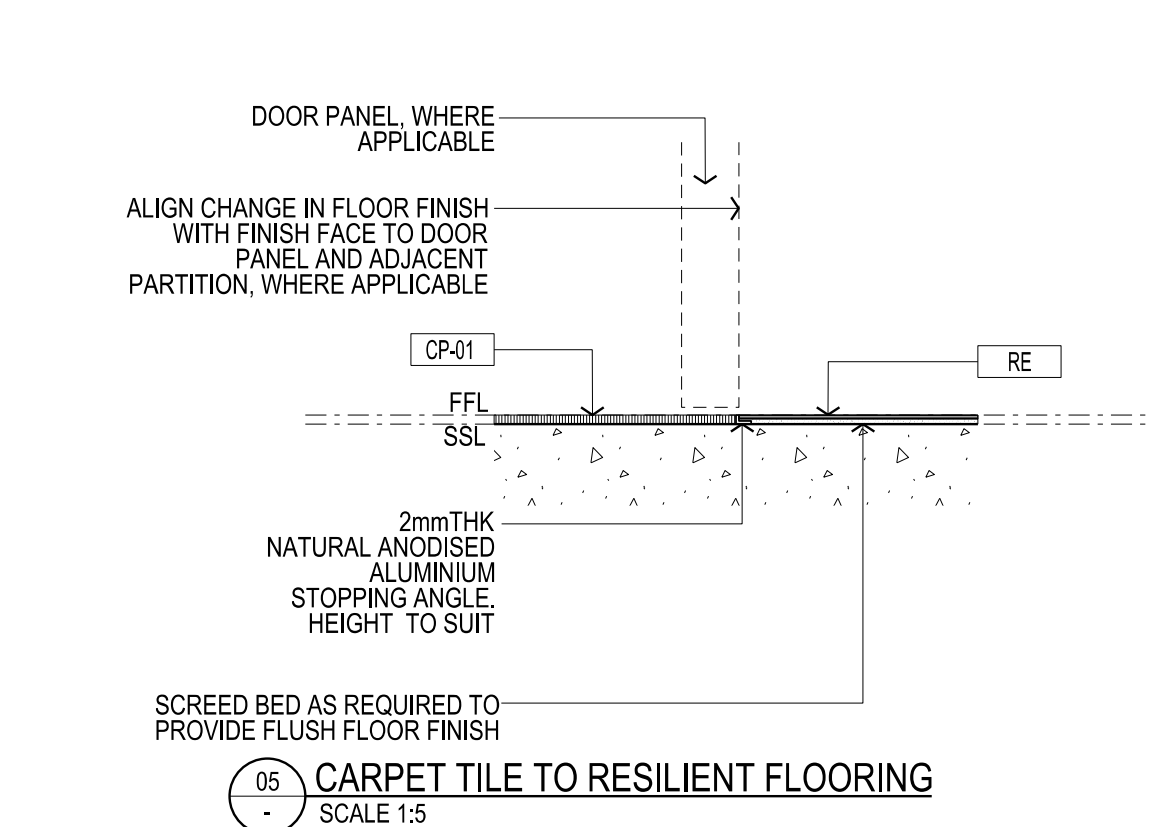
17 CARPET TILE WITH ACOUSTIC UNDERLAY TO RESILIENT FLOORING
SCALE 1:5



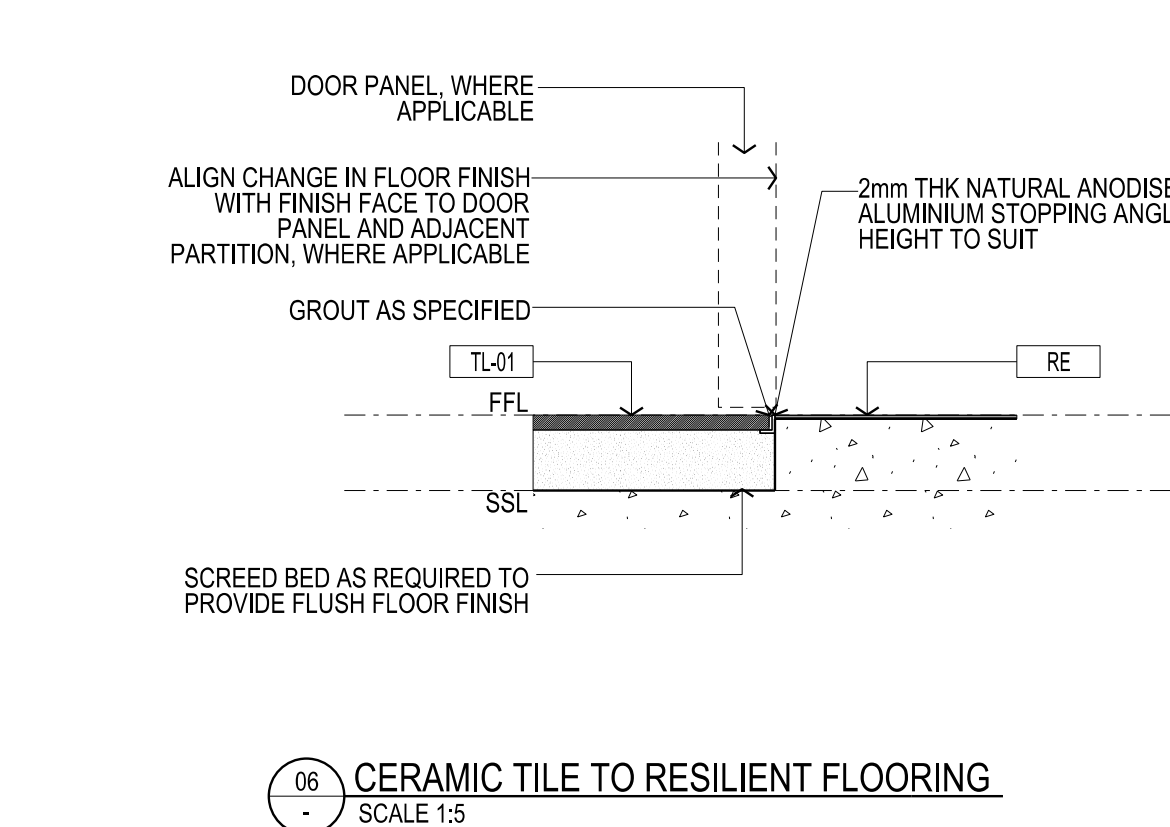
18 CARPET TILE WITH ACOUSTIC UNDERLAY TO CARPET TILE
SCALE 1:5



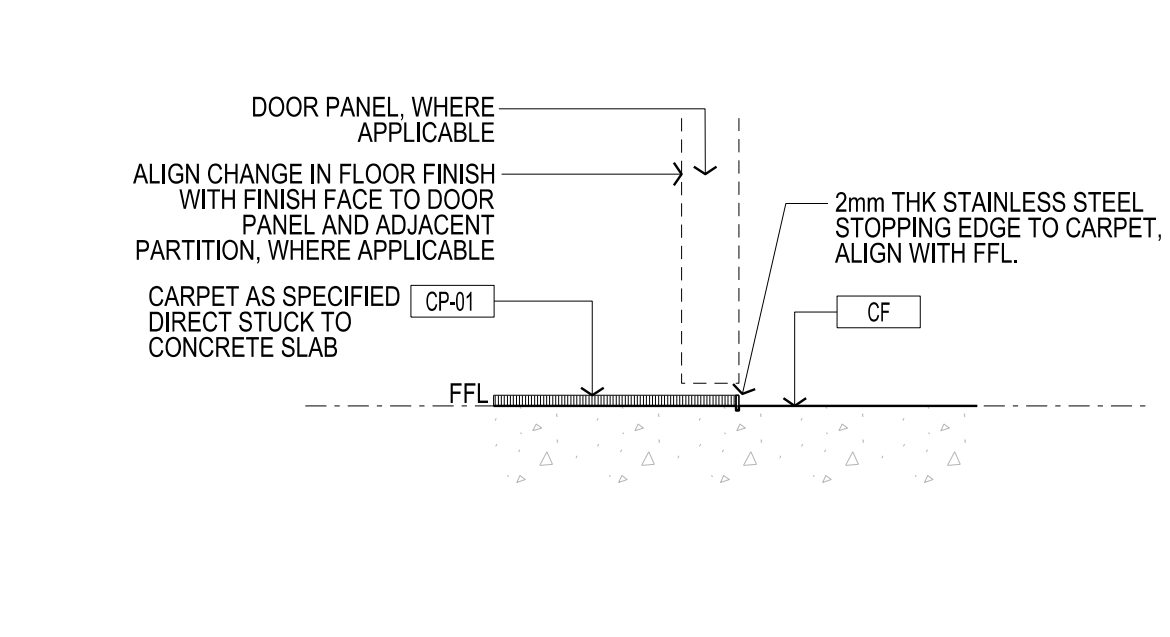
25 TIMBER FLOORING TO INTERNAL CONCRETE PAVER
SCALE 1:5



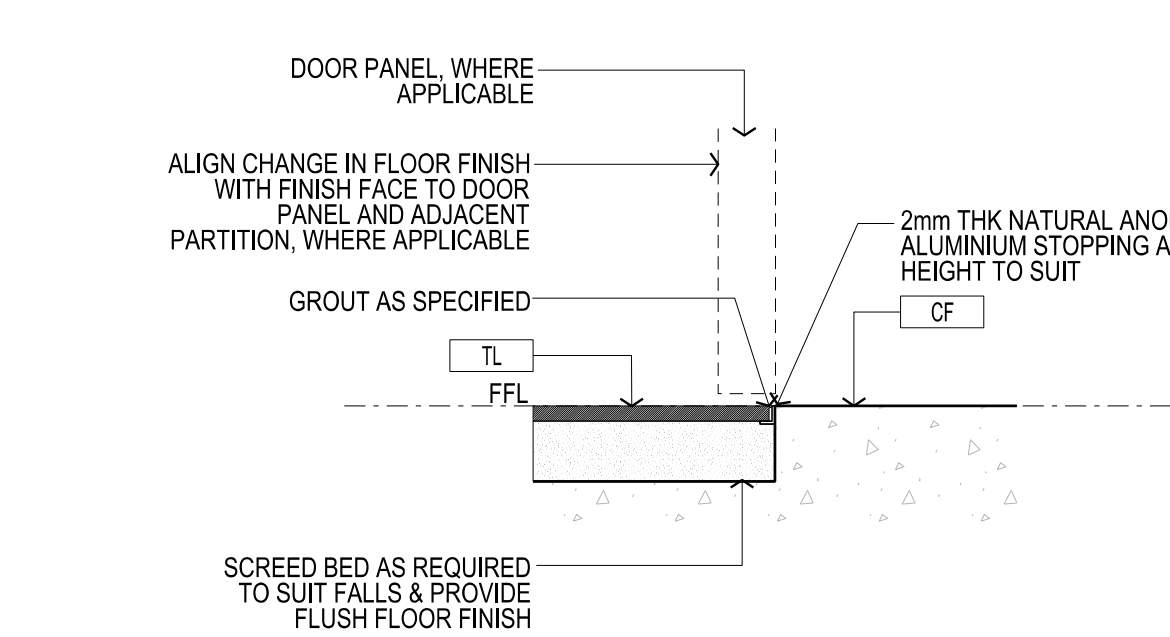
16 CARPET TILE TO RESILIENT FLOORING
SCALE 1:5



08 CERAMIC TILE TO RESILIENT FLOORING
SCALE 1:5



19 CONCRETE FINISH TO CARPET TILE
SCALE 1:5



04 CONCRETE FINISH TO CERAMIC TILE
SCALE 1:5

Rev	Issue	Revision Description	Amd	Date
A	SG	DETAIL 26 ADDED	-	15.07.13
08	SG	VALUE MANAGEMENT ISSUE	-	28.03.13
07	SG	100% CD - TENDER ISSUE	-	07.09.12
06	SG	95% CD ISSUE	-	10.08.12
05	SG	75% CD ISSUE	-	13.07.12
04	SG	50% CD ISSUE	-	01.06.12
03	SG	FINAL DD ISSUE	-	24.02.12
02	SG	DD UPDATE	-	20.01.12
01	SG	DESIGN DEVELOPMENT ISSUE	-	22.12.11



NADAAA
 NADAAA
 1302 Washington Street No.2
 Boston Massachusetts 02118 USA
 Telephone: +1 617 442 0232
 Facsimile: +1 617 442 1417
 Email: nadaa@nadaaa.com

John Wardle Architects
 25 Rokeby Street, Collingwood, Victoria 3066 Australia
 Tel: +61 3 8662 0400 www.johnwardlearchitects.com
 © 2012 John Wardle Architects ABN 83 006 814 268

Client: **University of Melbourne Parkville Campus**

Project: **Faculty of Architecture Building and Planning**

Title: **FLOOR JUNCTION DETAILS SHEET 1**

Project No.	0913	Scale	1:5 @ A0 1:10 @ A2
Drawing No.	AR 7600	Revision	A

Date: Dec 2011 Dwn - Co-Ord - Chk -

FILENAME - \$FILES

FOR CONSTRUCTION